



Carriage House[®]
PREMIER CABINETS

Only the Best, From our House to Yours!

Since 1934, our family-owned company has been providing customers with quality products and best in class service. In 2007, we saw a need in the cabinet industry for a quality RTA cabinet distributor and that year we introduced to the industry our Carriage House Cabinet Collection division. Since then, Carriage House Cabinet Collection has become a premier distributor of RTA cabinets for the kitchen and bath industry. We are focused on providing an all-wood framed style cabinet that exceeds our customers' expectations.

Carriage House has proven to be the foundation to every cabinet project. Our door styles with Sherwin-Williams finish, applied molding details, and hand glazing will define your personal space, while reflecting your unique taste and individual style.

Our mission is to form lasting relationships with quality dealers by providing the best in class products and services.

*Strategically located
in the Heartland!*



Table of Contents

Carriage House Cabinets

- Carriage House at a Glance..... 2
- Limited Warranty..... 3
- Terms and Conditions..... 4
 - Order Processing and Payment..... 4
 - Shipping and Delivery..... 4
 - Missing/Damaged Items..... 4
 - Returns and Replacements..... 4
- Cabinet Cross Section..... 5
- Wall and Blind Cabinet Installation..... 6
- Door Styles..... 7
- Wall Cabinet Options..... 8
- Tall Cabinet Options..... 16
- Base Cabinet Options..... 20
 - Base Cabinet Inserts..... 28
- Vanity Cabinet Options..... 29
- Accessories..... 32
- Panels..... 34
- Fillers..... 36
- Mouldings..... 37



Carriage House Cabinets at a Glance

Kitchens, throughout history, were rooms used for cooking and washing dishes. Over time, however, they have evolved to much more than that. Kitchens are now a room where families gather and where memories are made. Homeowners dream of beautiful kitchens that become the most desirable gathering place in their home.

For those homeowners, Carriage House Premier Cabinets allows them to achieve their dream kitchen by offering the perfect combination of quality, style, and price backed by decades of experience and dependability.

Beautiful memories begin at home. Beautiful kitchens begin with Carriage House!

Your New Carriage House Cabinets at a glance:

- All Wood Construction
- Full Overlay Doors
- Solid Wood Dovetail drawers
- Full Extension & Soft-Close Hardware
- ¾" Plywood Shelves
- Sherwin-Williams Finish

Materials and Construction:

- All Cabinets are face framed construction using birch wood species.
- All cabinet boxes are birch veneer 7 ply plywood stained to match door on outside and natural stain on inside. Finish topcoat is UV.
- Face frames are ¾" thick with 1½" wide stiles and rails. Joints are mortise and tenon.
- Shelves are ¾" thick with 5mm holes in cabinet for adjustment.
- Backs are dado's in cabinet sides. Dado extends to the floor on base cabinets.

Drawers:

- Drawers are birch solid wood 5/8" thick wood dovetail drawer sides, stained natural with UV topcoat.
- Drawer glides are full-extension, soft-close hardware.
- Drawer fronts are slab with profile edge with a full overlay 5-piece center miter construction.

Doors:

- Mitered doors are full overlay 5-piece miter construction with 2¾" stiles and rails.

Finish:

- Polyester topcoat is applied to doors, drawers, and face frames. Glazing is applied to doors and drawer fronts on some cabinet lines. All other parts are finished with UV topcoat.
- Sherwin-Williams finish.

Limited Warranty

Carriage House Premier Cabinets warrants the original consumer/purchaser that cabinet products will be free from defects in material & workmanship under normal use of a period of one year from the date of purchase. This warranty is only applicable to products used in residential applications within the United States & is not transferable to subsequent owners.

Should defects in material or workmanship exist during the applicable warranty period, Carriage House Premier Cabinets will elect at its discretion to either repair or replace the defective material or component, free of charge. This warranty covers only parts & materials of the products supplied by Carriage House Premier Cabinets. Not covered under this warranty are counter tops, appliances, plumbing fixtures, etc. or the costs, including labor, to remove & reinstall materials & related components such as fittings, appliances, etc.

This warranty shall become void if the cabinets are in any way modified, improperly installed or damaged prior to or during the installation. Furthermore, this warranty will not apply to cabinets damaged by misuse, neglect, abuse, acts of nature, exposure to extreme temperature or water or the effects of normal wear & tear.

Natural woods may vary in color, characteristics & exhibit subtle changes as they age. For example, painted frames may eventually have visible cracking around the joint area & cabinet colors may darken or lighten over time. Sunlight, smoke, household cleaners & other environmental conditions may also affect the color match over time. These variations are considered to be the nature of the material in relation to their environmental exposure & are not covered under this warranty.

Carriage House Premier Cabinets reserves the right to alter design, specification & material without obligation to make similar changes to products previously manufactured.

The repair(s) or replacement(s) are contingent upon the current product offerings of styles & construction options at the time of the warranty claim. If a warranty claim is filed after a product becomes obsolete, Carriage House Premier Cabinets reserves the right to honor the warranty in one of the following fashions:

1. To replace the affected component with a new component of the same style.
2. To replace the affected component & any other component(s) in the residential application to achieve a uniform appearance with a similar & comparable product style of the originally purchased style.

If components are replaced, Carriage House Premier Cabinets cannot guarantee that the finish of these replacements will exactly match the finish & appearance of the components in the residential application. This is due to the changes that occur during the wood's natural aging process, affecting its color & grain.

THIS WARRANTY IS THE EXCLUSIVE WARRANTY OF CARRIAGE HOUSE PREMIER CABINETS & IS IN LIEU OF & CARRIAGE HOUSE PREMIER CABINETS DISCLAIMS ALL OTHER WARRANTIES, EXPRESSED OR IMPLIED, INCLUDING THE IMPLIED WARRANTIES OF MERCHANTABILITY & FITNESS FOR A PARTICULAR PURPOSE.

This warranty gives you specific legal rights & you may have other rights, which vary from state to state. Some states do not allow the exclusion or limitation of incidental or consequential damages, so the above limitations or exclusions may not apply.

To obtain replacement(s) under this limited warranty, first contact an authorized Carriage House Premier Cabinets dealer, who will arrange for inspection of the cabinet(s). A dated sales receipt as proof of purchase is required to obtain benefits from this warranty.



Terms & Conditions

Order Processing & Payment:

- Orders may be emailed to orders@carriagehousecabinet.com or faxed to 866-521-0648.
- All orders from Carriage House dealers will be accepted on provided order forms only. This will help to return confirmations quickly and accurately.
- Confirmations will be returned within 24 hours. If you do not receive a confirmation within that time frame, feel free to reach out to make sure the order was received.
- Full Payment is required once the order is approved. Payment can be made by credit card or ACH. Credit card transactions will be charged a 3% fee.
- Orders will ship from our warehouse within 24-48 hours of receiving payment.

Assembled Cabinet Orders

- Cabinet assembly fee will be charged.
- Lead time for assembled orders varies. The order build date will be given once payment is received.

Shipping & Delivery:

- All orders placed are shrink wrapped and/or banded to the pallet.

Shipping

- 1-3 days standard transit times. Residential and lift-gate deliveries may require additional days and fees.
- Shipping charges will be quoted at the time of confirmation.
- All destinations must be tractor/trailer accessible.

Delivery

- A responsible party must be present to inspect, inventory, and sign off on delivery.
- If items are missing or visibly damaged, it must be noted by the driver on the bill of lading.
- Do not reject damaged items. See below for important notes on missing and/or damaged items.

Missing/Damaged Items (Including concealed damage):

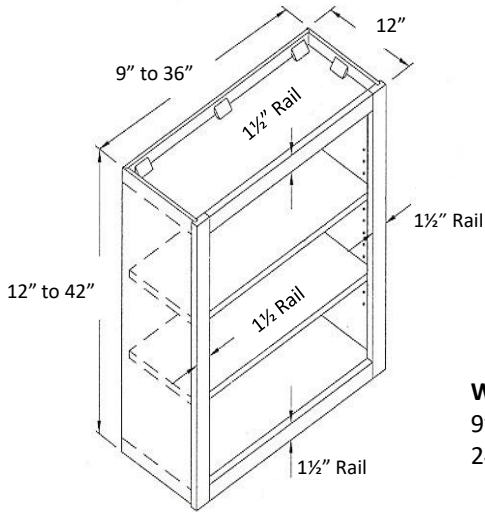
- Freight claims for obvious damage or shortage is only accepted when indicated on the bill of lading.
- Upon receipt of the damage claim, an order will be processed, and replacement(s) will be shipped as soon as possible.
- Concealed Damage: Send a picture of the damage and the number from the carton (begins 98...) to orders@carriagehousecabinet.com with a detailed description of what is damaged. Please

Returns and Replacements:

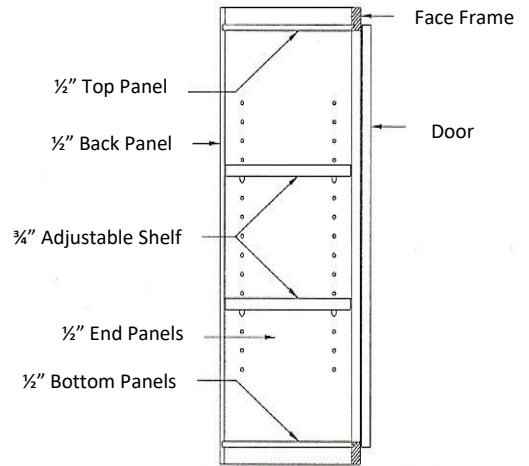
- The Return and Replacement form will need to be filled out and emailed to orders@carriagehousecabinet.com or faxed to 866-521-0648.
- Replacement for damaged or defective cabinets will be required to submit a picture of the damage and the number that is on the side of the carton.
- All returns must be authorized by Carriage House prior to return shipment.
- Returns must be received by Carriage House within 30 days of purchasing.
- All items must be returned in original, unopened packaging. Returns on assembled cabinets are not accepted.
- Assembled cabinets cannot be returned.
- No returns on trim, mouldings, fillers, or panels.
- Qualifying returns will incur a 20% restocking fee and customer is responsible for freight charges for returns.
- Returns will be inspected upon arrival by Carriage House. Any item deemed unsellable will not receive credit.

Cabinet Cross Section

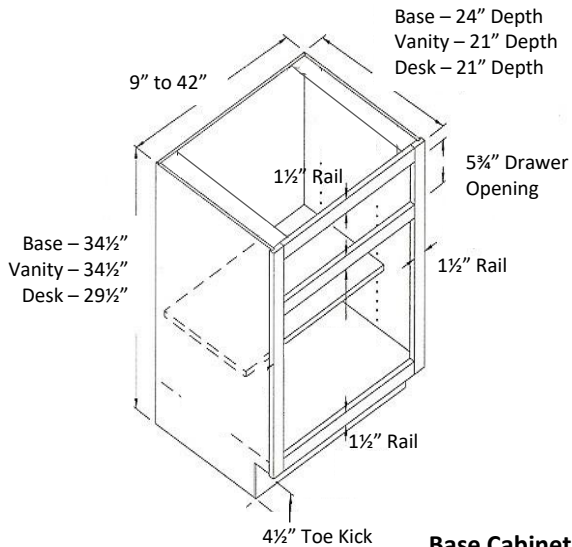
Typical Wall Cabinet



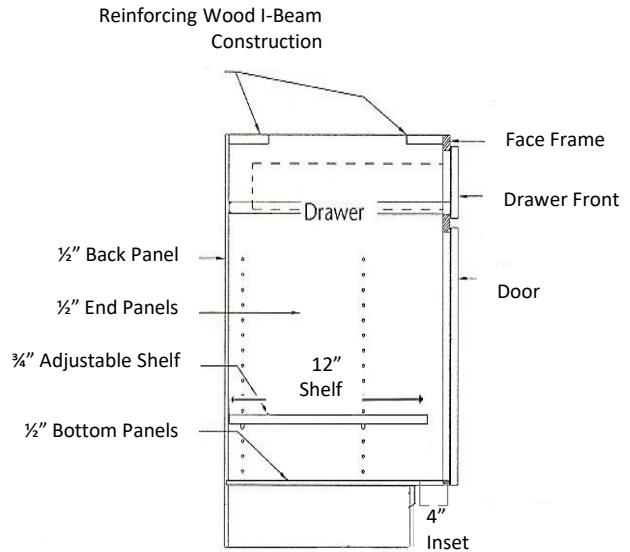
Wall Cabinet Widths:
9" – 21" have one door
24" – 36" have two doors



Typical Base, Vanity, or Desk Cabinet



Base Cabinet Widths:
9" – 21" have one door
24" – 36" have two doors



Cabinet Installation Instructions

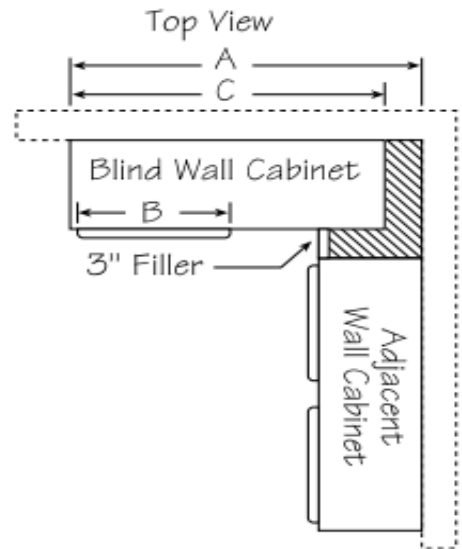
Wall Cabinet Installation:



Blind Cabinet Installation:

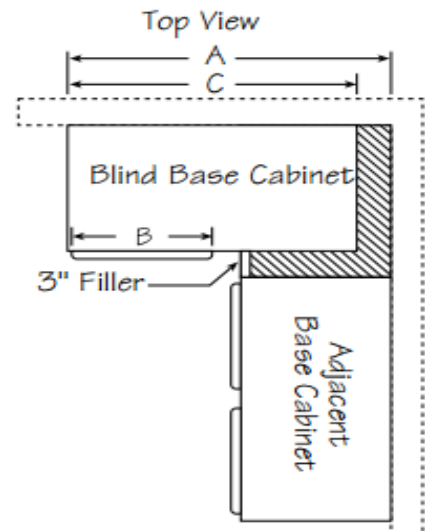
Blind Wall Cabinets: By Width

Cabinet	Actual Cabinet Width (C)	Recommended Installation (A)	Door Size (B)	Stile	Door Opening Width
BW30	30"	30-33"	17½"	4¾"	15"
BW36	36"	36-39"	23½"	4¾"	21"



Blind Base Cabinets: By Width

Cabinet	Actual Cabinet Width (C)	Recommended Installation (A)	Door Size (B)	Stile	Door Opening Width
BB36	30"	36-39"	11½"	9"	9"
BB42	36"	42-45"	14½"	9"	12"



Door Styles

Bradford

5 pc Front Option



Windsor

5 pc Front Option



Westbrook



Stonebridge



Hampton



Abbott



Jameson



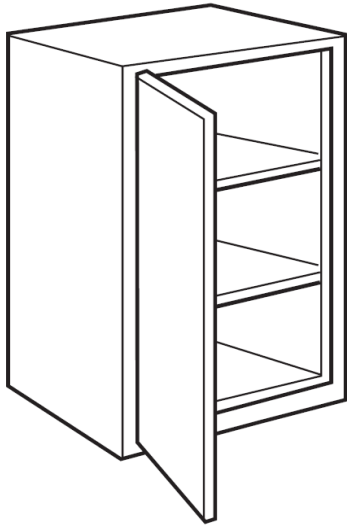
Rustic Hickory



Wall Cabinet Options

30" Height – Single Door

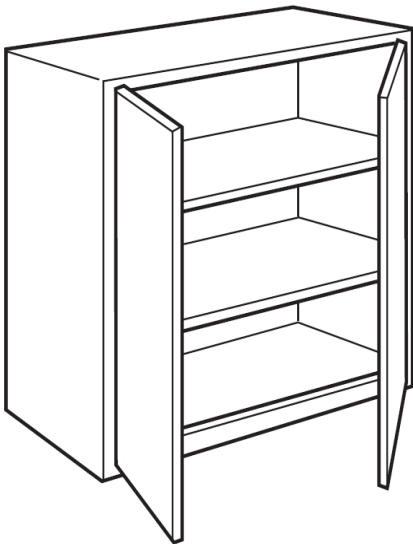
*2 Adjustable Shelves



Model		Width	Height	Depth
W930	Cabinet Dimension	9	30	12
	Door Dimension	8½	28¾	¾
W1230	Cabinet Dimension	12	30	12
	Door Dimension	11½	28¾	¾
W1530	Cabinet Dimension	15	30	12
	Door Dimension	14½	28¾	¾
W1830	Cabinet Dimension	18	30	12
	Door Dimension	17½	28¾	¾
W2130	Cabinet Dimension	21	30	12
	Door Dimension	20½	28¾	¾

30" Height – Double Door

*2 Adjustable Shelves

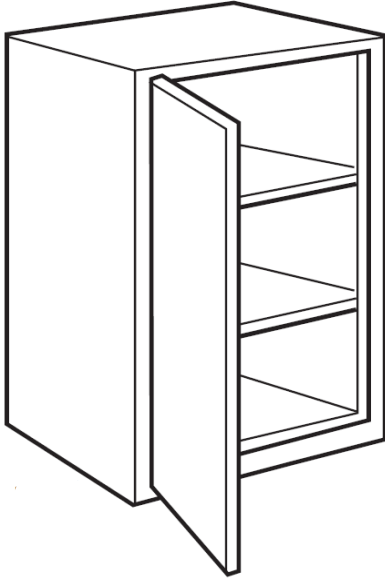


Model		Width	Height	Depth
W2430	Cabinet Dimension	24	30	12
	Door Dimension	11¾	28¾	¾
W2730	Cabinet Dimension	27	30	12
	Door Dimension	13¾	28¾	¾
W3030	Cabinet Dimension	30	30	12
	Door Dimension	14¾	28¾	¾
W3330	Cabinet Dimension	33	30	12
	Door Dimension	16¾	28¾	¾
W3630	Cabinet Dimension	36	30	12
	Door Dimension	17¾	28¾	¾

Wall Cabinet Options

36" Height – Single Door

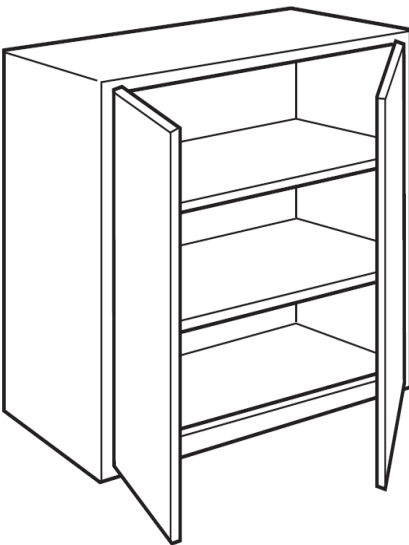
*2 Adjustable Shelves



Model		Width	Height	Depth
W936	Cabinet Dimension	9	36	12
	Door Dimension	8½	34¾	¾
W1236	Cabinet Dimension	12	36	12
	Door Dimension	11½	34¾	¾
W1536	Cabinet Dimension	15	36	12
	Door Dimension	14½	34¾	¾
W1836	Cabinet Dimension	18	36	12
	Door Dimension	17½	34¾	¾
W2136	Cabinet Dimension	21	36	12
	Door Dimension	20½	34¾	¾

36" Height – Double Door

*2 Adjustable Shelves

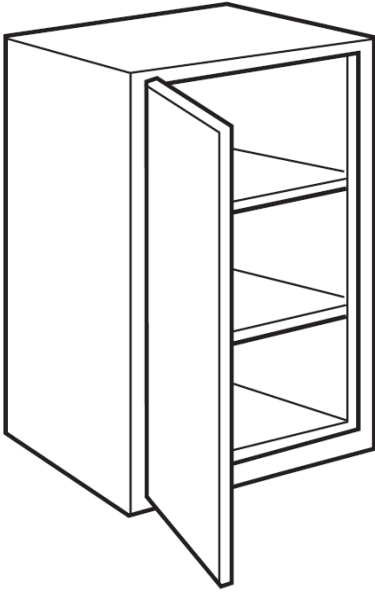


Model		Width	Height	Depth
W2436	Cabinet Dimension	24	36	12
	Door Dimension	11¾	34¾	¾
W2736	Cabinet Dimension	27	36	12
	Door Dimension	13¾	34¾	¾
W3036	Cabinet Dimension	30	36	12
	Door Dimension	14¾	34¾	¾
W3336	Cabinet Dimension	33	36	12
	Door Dimension	16¾	34¾	¾
W3636	Cabinet Dimension	36	36	12
	Door Dimension	17¾	34¾	¾

Wall Cabinet Options

42" Height – Single Door

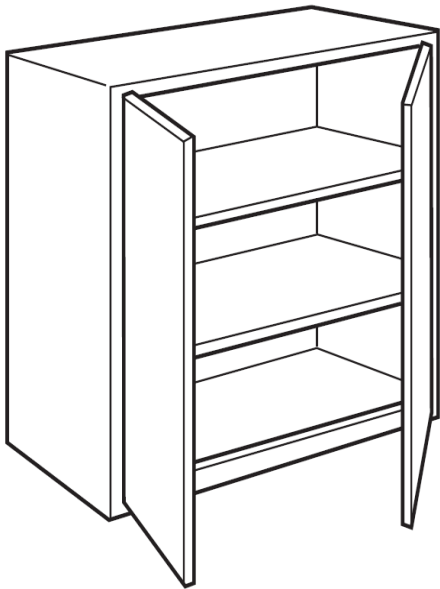
*3 Adjustable Shelves



Model		Width	Height	Depth
W942	Cabinet Dimension	9	42	12
	Door Dimension	8½	40¾	¾
W1242	Cabinet Dimension	12	42	12
	Door Dimension	11½	40¾	¾
W1542	Cabinet Dimension	15	42	12
	Door Dimension	14¾	40¾	¾
W1842	Cabinet Dimension	18	42	12
	Door Dimension	17¾	40¾	¾
W2142	Cabinet Dimension	21	42	12
	Door Dimension	20¾	40¾	¾

42" Height – Double Door

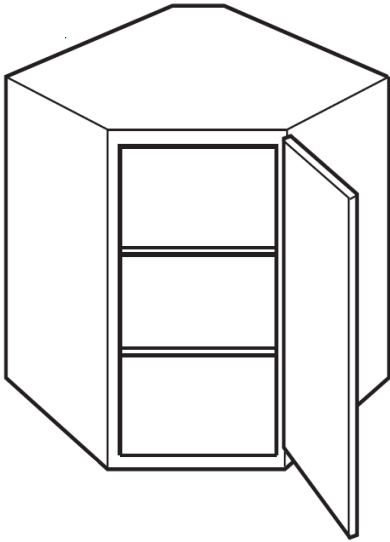
*3 Adjustable Shelves



Model		Width	Height	Depth
W2442	Cabinet Dimension	24	42	12
	Door Dimension	11¾	40¾	¾
W2742	Cabinet Dimension	27	42	12
	Door Dimension	13¾	40¾	¾
W3042	Cabinet Dimension	30	42	12
	Door Dimension	14¾	40¾	¾
W3342	Cabinet Dimension	33	42	12
	Door Dimension	16¾	40¾	¾
W3642	Cabinet Dimension	36	42	12
	Door Dimension	17¾	40¾	¾

Wall Cabinet Options

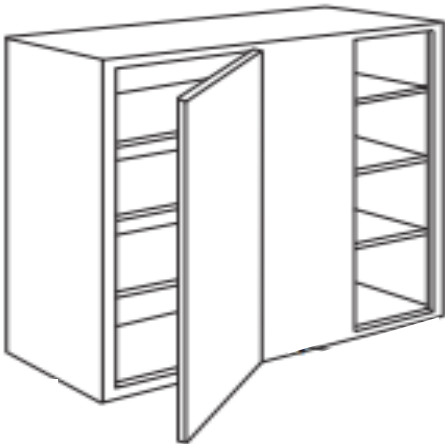
Diagonal Corner Wall



Model		Width	Height	Depth
CW2430	Cabinet Dimension	24	30	12
	Door Dimension	14½	28¾	¾
CW2436	Cabinet Dimension	24	36	12
	Door Dimension	14½	34¾	¾
CW2442	Cabinet Dimension	24	42	12
	Door Dimension	14½	40¾	¾
CW2736-15	Cabinet Dimension	27	36	15
	Door Dimension	14½	34¾	¾
CW2742-15	Cabinet Dimension	27	42	15
	Door Dimension	14½	40¾	¾

- Door opening is 12 1/8" Wide
- 30" and 36" cabinets have 2 shelves
- 42" cabinets have 3 shelves

Wall Blind



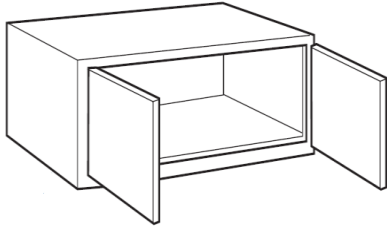
Model		Width	Height	Depth
BW3030	Cabinet Dimension	30	30	12
	Door Dimension	17½	28¾	¾
BW3630	Cabinet Dimension	36	30	12
	Door Dimension	23½	28¾	¾
BW3636	Cabinet Dimension	36	36	12
	Door Dimension	23½	34¾	¾

- See page 6 for full dimensions and installation instructions
- 30" and 36" cabinets have 2 shelves
- 42" cabinets have 3 shelves

Wall Cabinet Options

12" Height – Double Door

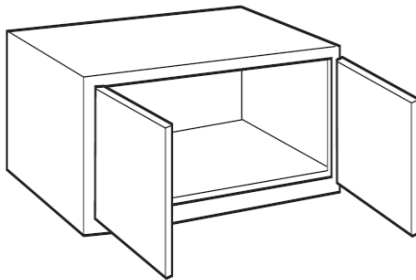
***No Shelves**



Model		Width	Height	Depth
W3012	Cabinet Dimension	30	12	12
	Door Dimension	14¾	10¾	¾
W3612	Cabinet Dimension	36	12	12
	Door Dimension	17¾	10¾	¾

15" Height – Double Door

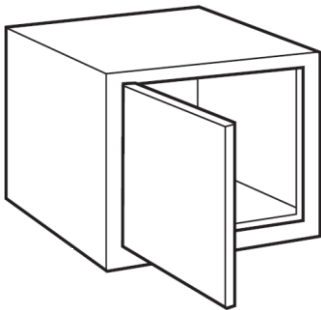
***No Shelves**



Model		Width	Height	Depth
W3015	Cabinet Dimension	30	15	12
	Door Dimension	14¾	13¾	¾
W3315	Cabinet Dimension	33	15	12
	Door Dimension	16¾	13¾	¾
W3615	Cabinet Dimension	36	15	12
	Door Dimension	17¾	13¾	¾

18" Height – Single Door

***No Shelves**

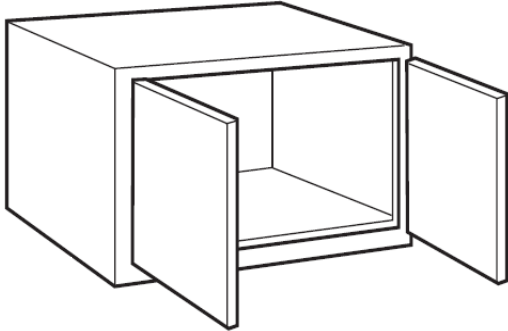


Model		Width	Height	Depth
W1518	Cabinet Dimension	15	18	12
	Door Dimension	14½	16¾	¾
W1818	Cabinet Dimension	18	18	12
	Door Dimension	17½	16¾	¾
W2118	Cabinet Dimension	21	18	12
	Door Dimension	20½	16¾	¾

Wall Cabinet Options

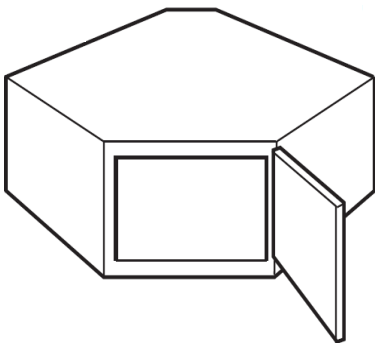
18" Height – Double Door

***No Shelves**



Model		Width	Height	Depth
W2418	Cabinet Dimension	24	18	12
	Door Dimension	11 $\frac{3}{4}$	16 $\frac{3}{4}$	$\frac{3}{4}$
W2718	Cabinet Dimension	27	18	12
	Door Dimension	13 $\frac{3}{4}$	16 $\frac{3}{4}$	$\frac{3}{4}$
W3018	Cabinet Dimension	30	18	12
	Door Dimension	14 $\frac{3}{4}$	16 $\frac{3}{4}$	$\frac{3}{4}$
W3318	Cabinet Dimension	33	18	12
	Door Dimension	16 $\frac{3}{4}$	16 $\frac{3}{4}$	$\frac{3}{4}$
W3618	Cabinet Dimension	36	18	12
	Door Dimension	17 $\frac{3}{4}$	16 $\frac{3}{4}$	$\frac{3}{4}$

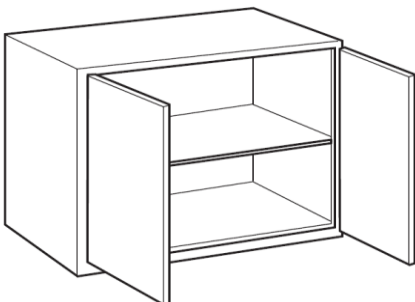
18" Height Corner Wall



Model		Width	Height	Depth
CW2418	Cabinet Dimension	24	18	12
	Door Dimension	15 $\frac{3}{4}$	16 $\frac{3}{4}$	$\frac{3}{4}$
CW2718-15	Cabinet Dimension	27	18	15
	Door Dimension	15 $\frac{3}{4}$	16 $\frac{3}{4}$	$\frac{3}{4}$

- Door opening is 12 1/8" Wide.
- No shelves

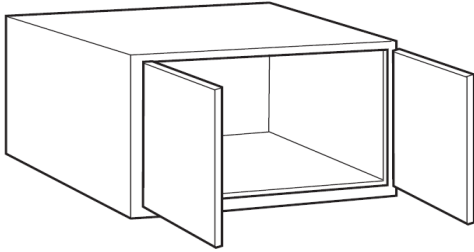
24" Height – Double Door



Model		Width	Height	Depth
W3024	Cabinet Dimension	30	24	12
	Door Dimension	14 $\frac{3}{4}$	22 $\frac{3}{4}$	$\frac{3}{4}$
W3624	Cabinet Dimension	36	24	12
	Door Dimension	17 $\frac{3}{4}$	22 $\frac{3}{4}$	$\frac{3}{4}$

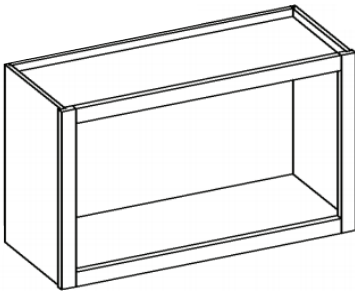
Wall Cabinet Options

24" Depth Refrigerator

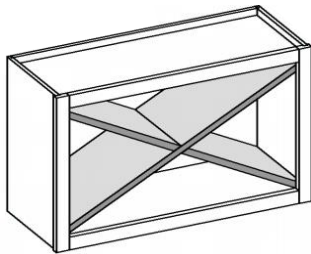


Model		Width	Height	Depth
W3618-24	Cabinet Dimension	36	18	24
	Door Dimension	17 $\frac{3}{4}$	16 $\frac{3}{4}$	$\frac{3}{4}$
W3624-24	Cabinet Dimension	36	24	24
	Door Dimension	17 $\frac{3}{4}$	22 $\frac{3}{4}$	$\frac{3}{4}$

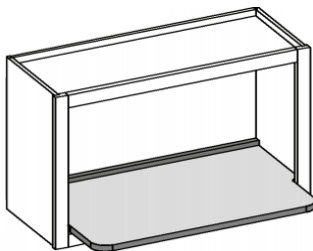
Open Wall Cabinet & Inserts



Model		Width	Height	Depth
OWC3018	Cabinet Dimension	30	18	12



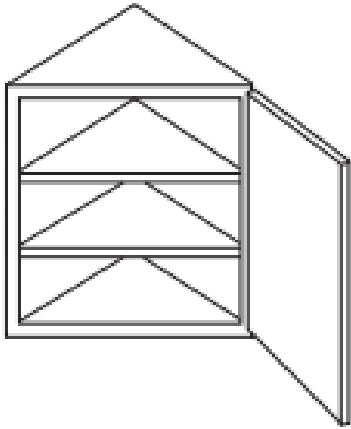
Model				
X-Rack	Install in OW3018			
➤ Cabinet sold separately				



Model				
Micro Shelf	Install in OW3018			
➤ Cabinet sold separately				

Wall Cabinet Options

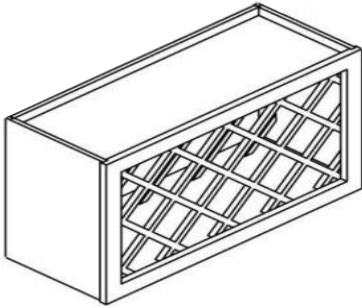
Angle Wall



Model		Width	Height	Depth
WEC1230	Cabinet Dimension	12	30	12
	Door Dimension	13½	28¾	¾
WEC1236	Cabinet Dimension	12	36	12
	Door Dimension	13½	34¾	¾
WEC1242	Cabinet Dimension	12	42	12
	Door Dimension	13½	40¾	¾

- 30" and 36" cabinets have 2 shelves
- 42" cabinets have 3 shelves

Wine Rack



Model		Width	Height	Depth
WR3018	Cabinet Dimension	30	18	12

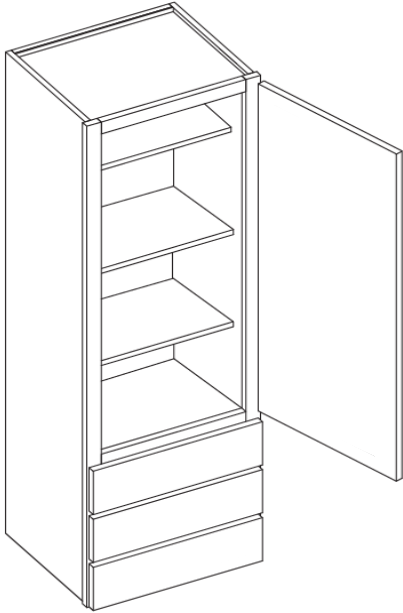
Stem Ware Holder



Model		Width	Height	Depth
Stem	Dimension	30	1½	12

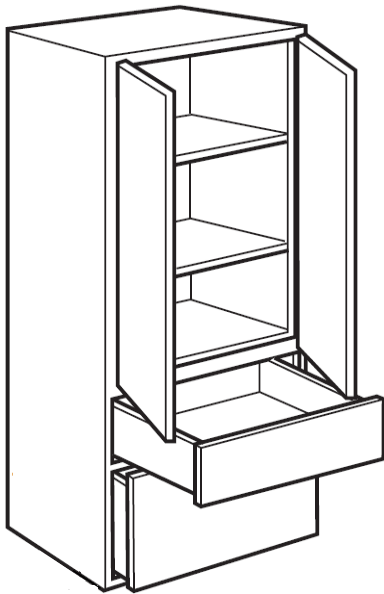
Tall Cabinet Options

48" Height – Single Door



Model		Width	Height	Depth
DWR1548	Cabinet Dimension	15	48	15
	Door Dimension	14½	28¾	¾
	Drawer Front	14½	5⅜	¾
➤ 3 Drawers				

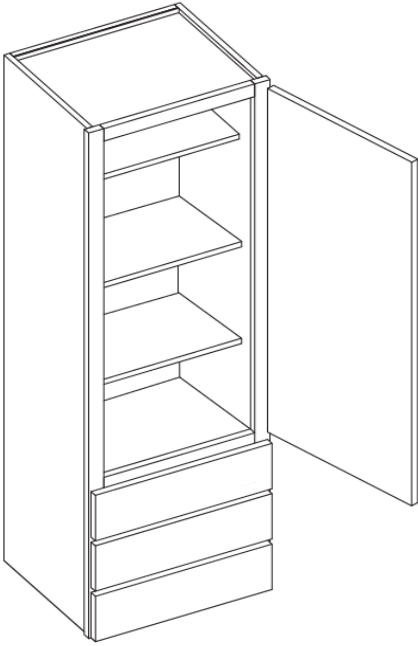
54" Height – Double Door



Model		Width	Height	Depth
DWR2454	Cabinet Dimension	24	54	15
	Door Dimension	11¾	34¾	¾
	Drawer Front	11¾	8½	¾
➤ 2 Drawers				

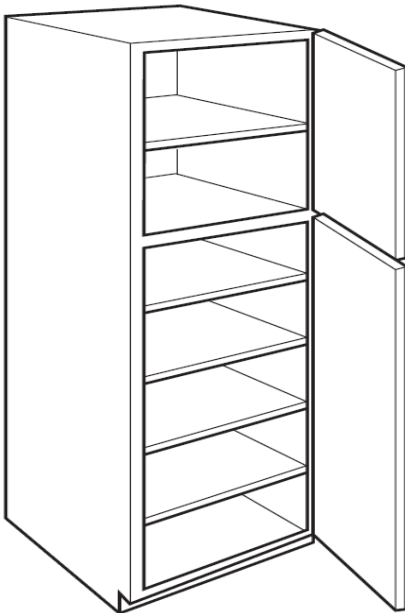
Tall Cabinet Options

60" Height – Single Door



Model		Width	Height	Depth
DWR1860	Cabinet Dimension	18	60	15
	Door Dimension	17½	40¾	¾
	Drawer Front	17½	5⅜	¾
➤ 3 Drawers				

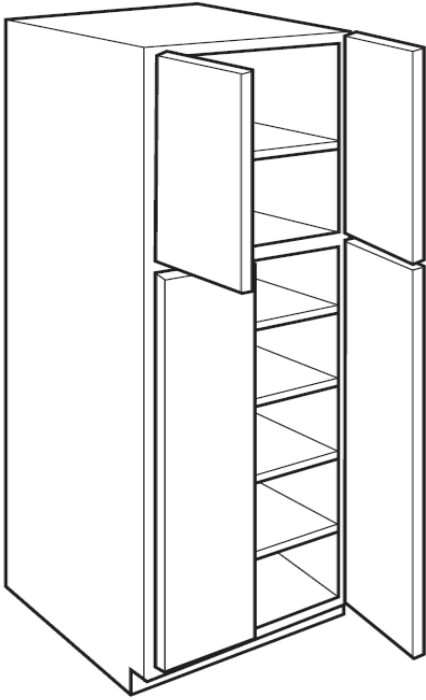
Single Door Pantry



Model		Width	Height	Depth
P1884	Cabinet Dimension	18	84	24
	Top Door Dimensions	17½	28¾	¾
	Bottom Door	17½	49	¾
P1890	Cabinet Dimension	18	90	24
	Top Door Dimensions	17½	34¾	¾
	Bottom Door	17½	49	¾
P1896	Cabinet Dimension	18	96	24
	Top Door Dimensions	17½	40¾	¾
	Bottom Door	17½	49	¾
➤ 4 Adjustable shelves included				

Tall Cabinet Options

Double Door Pantry

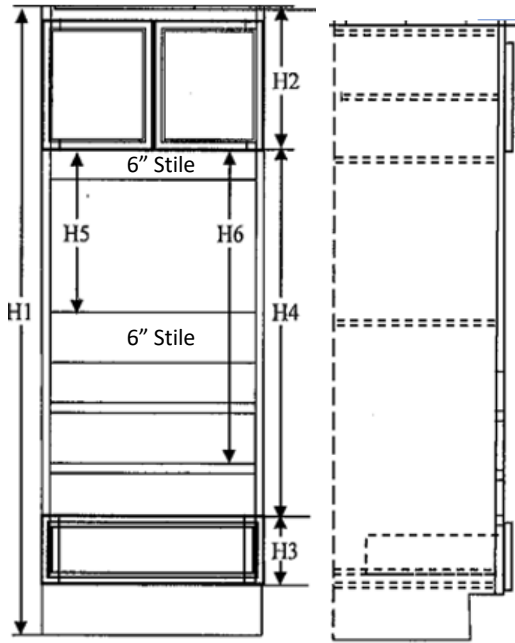


Model		Width	Height	Depth
P2484	Cabinet Dimension	24	84	24
	Top Door Dimensions	11 $\frac{3}{4}$	28 $\frac{3}{4}$	$\frac{3}{4}$
	Bottom Door	11 $\frac{3}{4}$	49	$\frac{3}{4}$
P2490	Cabinet Dimension	24	90	24
	Top Door Dimensions	11 $\frac{3}{4}$	34 $\frac{3}{4}$	$\frac{3}{4}$
	Bottom Door	11 $\frac{3}{4}$	49	$\frac{3}{4}$
P2496	Cabinet Dimension	24	96	24
	Top Door Dimensions	11 $\frac{3}{4}$	40 $\frac{3}{4}$	$\frac{3}{4}$
	Bottom Door	11 $\frac{3}{4}$	49	$\frac{3}{4}$
P3084	Cabinet Dimension	30	84	24
	Top Door Dimensions	14 $\frac{3}{4}$	28 $\frac{3}{4}$	$\frac{3}{4}$
	Bottom Door	14 $\frac{3}{4}$	49	$\frac{3}{4}$
P3090	Cabinet Dimension	30	90	24
	Top Door Dimensions	14 $\frac{3}{4}$	34 $\frac{3}{4}$	$\frac{3}{4}$
	Bottom Door	14 $\frac{3}{4}$	49	$\frac{3}{4}$
P3096	Cabinet Dimension	30	96	24
	Top Door Dimensions	14 $\frac{3}{4}$	40 $\frac{3}{4}$	$\frac{3}{4}$
	Bottom Door	14 $\frac{3}{4}$	49	$\frac{3}{4}$

➤ 4 Adjustable shelves included

Tall Cabinet Options

Oven Cabinet

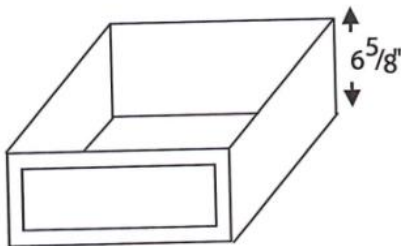


Model		Width	Height	Depth
OC3384	Cabinet Dimension	33	84	24
	Door Dimension	16 $\frac{1}{2}$	15 $\frac{1}{2}$	$\frac{3}{4}$
	Drawer Dimension	32 $\frac{3}{4}$	6 $\frac{3}{4}$	$\frac{3}{4}$
	Oven Opening	32 $\frac{1}{2}$	24 $\frac{3}{4}$	24
OC3390	Cabinet Dimension	33	90	24
	Door Dimension	16 $\frac{1}{2}$	21 $\frac{1}{2}$	$\frac{3}{4}$
	Drawer Dimension	32 $\frac{3}{4}$	6 $\frac{3}{4}$	$\frac{3}{4}$
	Oven Opening	32 $\frac{1}{2}$	24 $\frac{3}{4}$	24
OC3396	Cabinet Dimension	33	96	24
	Door Dimension	16 $\frac{1}{2}$	27 $\frac{1}{2}$	$\frac{3}{4}$
	Drawer Dimension	32 $\frac{3}{4}$	6 $\frac{3}{4}$	$\frac{3}{4}$
	Oven Opening	32 $\frac{1}{2}$	24 $\frac{3}{4}$	24

➤ 1 Drawer included

Oven Code	H2	H3	H4	H5	H6
OC3384	16 $\frac{1}{2}$	6 $\frac{3}{4}$	56 $\frac{1}{4}$	28	48
OC3390	22 $\frac{1}{2}$	6 $\frac{3}{4}$	56 $\frac{1}{4}$	28	48
OC3396	28 $\frac{1}{2}$	6 $\frac{3}{4}$	56 $\frac{1}{4}$	28	48

Oven Cabinet

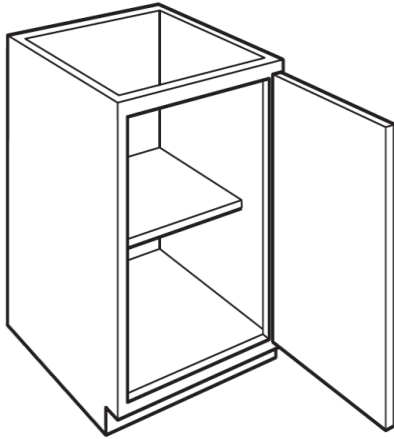


Model		Width	Height	Depth
OCD337	Drawer Dimension	32 $\frac{3}{4}$	6 $\frac{3}{4}$	$\frac{3}{4}$

Base Cabinet Options

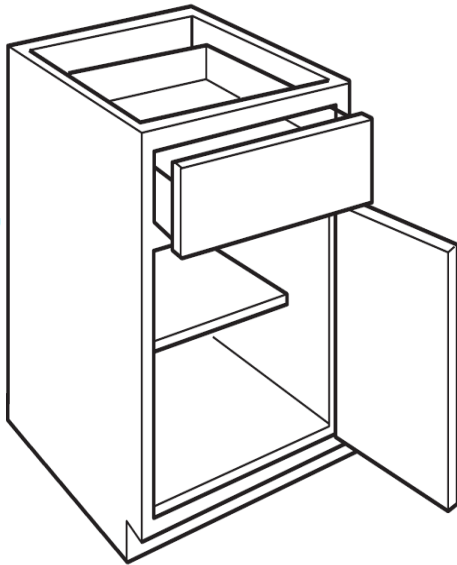
Full Height Base

***No Shelf**



Model		Width	Height	Depth
B9	Cabinet Dimension	9	34½	24
	Door Dimension	8½	28¾	¾
B24-FH	Cabinet Dimension	24	34½	24
	Door Dimension	23½	28¾	¾

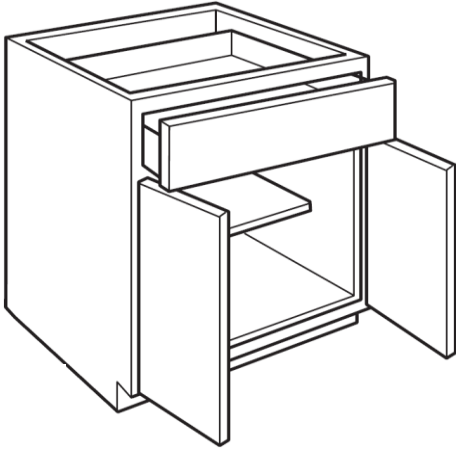
Single Door/Single Drawer Base



Model		Width	Height	Depth
B12	Cabinet Dimension	12	34½	24
	Door Dimension	11½	21½	¾
	Drawer Front	11½	6¾	¾
B15	Cabinet Dimension	15	34½	24
	Door Dimension	14½	21½	¾
	Drawer Front	14½	6¾	¾
B18	Cabinet Dimension	18	34½	24
	Door Dimension	17½	21½	¾
	Drawer Front	17½	6¾	¾
B21	Cabinet Dimension	21	34½	24
	Door Dimension	20½	21½	¾
	Drawer Front	20½	6¾	¾

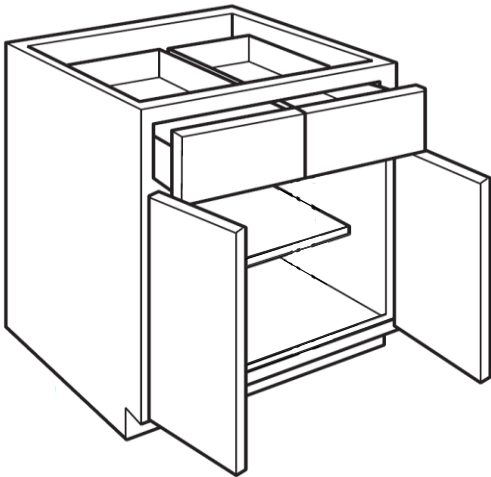
Base Cabinet Options

Double Door/Single Drawer Base



Model		Width	Height	Depth
B24	Cabinet Dimension	24	34½	24
	Door Dimension	11¾	21½	¾
	Drawer Front	23½	6¾	¾

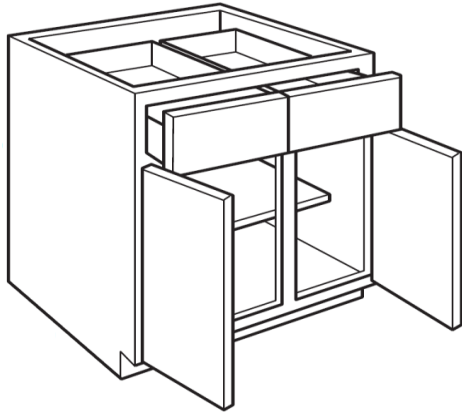
Double Door/Double Drawer Base



Model		Width	Height	Depth
B27	Cabinet Dimension	27	34½	24
	Door Dimension	13¾	21½	¾
	Drawer Front	13¾	6¾	¾
B30	Cabinet Dimension	30	34½	24
	Door Dimension	14¾	21½	¾
	Drawer Front	14¾	6¾	¾
B33	Cabinet Dimension	33	34½	24
	Door Dimension	16¾	21½	¾
	Drawer Front	16¾	6¾	¾
B36	Cabinet Dimension	36	34½	24
	Door Dimension	17¾	21½	¾
	Drawer Front	17¾	6¾	¾

Base Cabinet Options

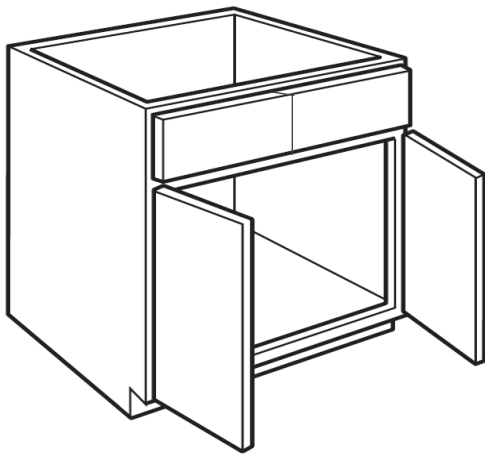
Double Door/Double Drawer Base



*Center Stile

Model		Width	Height	Depth
B42	Cabinet Dimension	42	34½	24
	Door Dimension	20½	21½	¾
	Drawer Front	20½	6¾	¾

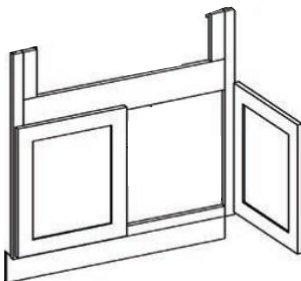
Sink Base



Model		Width	Height	Depth
SB30	Cabinet Dimension	30	34½	24
	Door Dimension	14¾	21½	¾
	Drawer Front	14¾	6¾	¾
SB33	Cabinet Dimension	33	34½	24
	Door Dimension	16¾	21½	¾
	Drawer Front	16¾	6¾	¾
SB36	Cabinet Dimension	36	34½	24
	Door Dimension	17¾	21½	¾
	Drawer Front	17¾	6¾	¾

➤ No shelf

Farm-House Sink Front

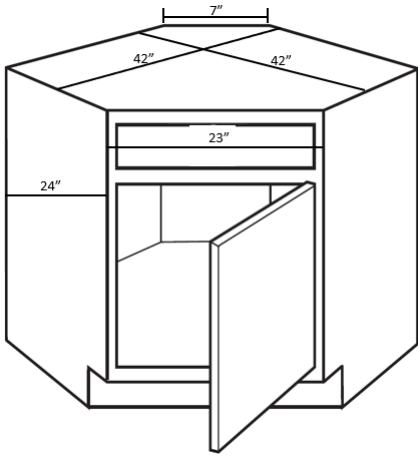


Model		Width	Height	Depth
FHSB36-CK	Cabinet Dimension	36	34½	¾
	Door Dimension	17¾	16¾	¾

➤ Should be ordered with SB36 for conversion

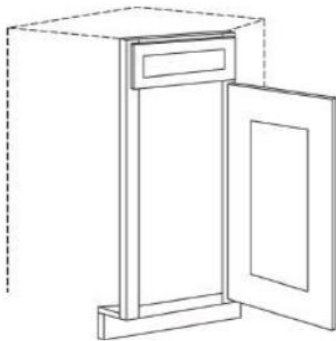
Base Cabinet Options

Diagonal Sink Base



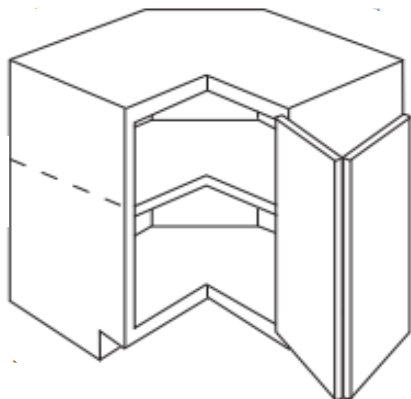
Model		Width	Height	Depth
DSB42	Cabinet Front	25½"	34½	¾
	Door Dimension	23	21½	¾
	Drawer Front	23	6¾	¾
➤ No shelf				

Diagonal Sink Front



Model		Width	Height	Depth
DSF36	Cabinet Dimension	18	34½	1½
	Door Dimension	14½	21½	¾
	Drawer Front	14½	6¾	¾
➤ Front Only				
➤ Natural finished DSB36 box available for order				

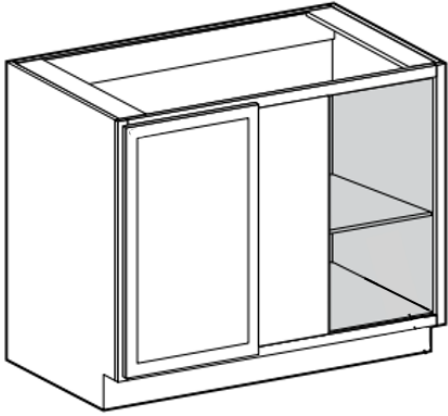
Easy Reach



Model		Width	Height	Depth
ER33	Cabinet Dimension	33	34½	24
	Door Opening	9½	27	-
ER36	Cabinet Dimension	36	34½	24
	Door Opening	11	27	-
➤ Lazy susan kit available (see accessories page)				

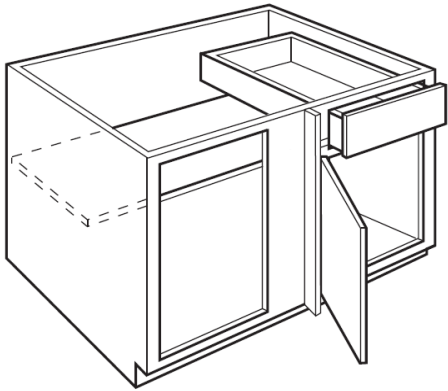
Base Cabinet Options

Blind Base – Full Height Door



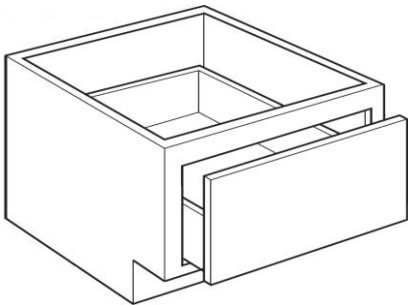
Model		Width	Height	Depth
BB36	Cabinet Dimension	30	34½	24
	Door Dimension	11½	28¾	¾
➤ See page 6 for full dimensions and installation instructions				

Blind Base



Model		Width	Height	Depth
BB42	Cabinet Dimension	36	34½	24
	Door Dimension	14½	21½	¾
	Drawer Front	14½	6¾	¾
➤ See page 6 for full dimensions and installation instructions				

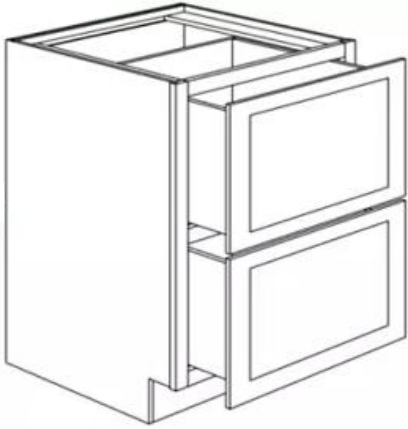
1 Drawer Base



Model		Width	Height	Depth
DB24-1	Cabinet Dimension	24	18	21
	Drawer Front	23½	12¾	¾

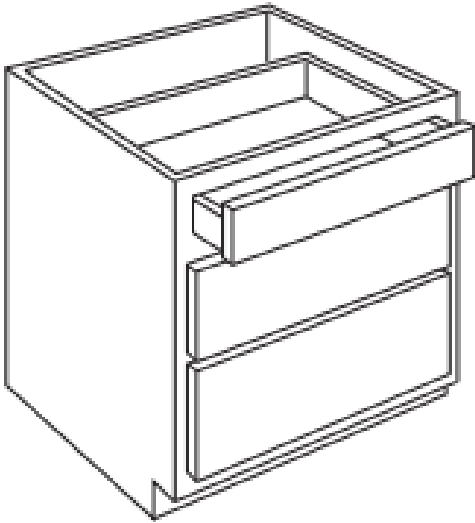
Base Cabinet Options

2 Drawer Base



Model		Width	Height	Depth
DB18-2	Cabinet Dimension	18	34½	24
	Drawer Front	17½	14¼	¾
DB24-2	Cabinet Dimension	24	34½	24
	Drawer Front	23½	14¼	¾
DB30-2	Cabinet Dimension	30	34½	24
	Drawer Front	29½	14¼	¾

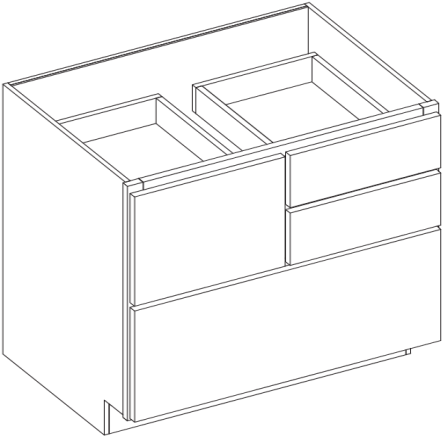
3 Drawer Base



Model		Width	Height	Depth
DB12-3	Cabinet Dimension	12	34½	24
	Top Drawer Front	11½	6	¾
	Bottom Drawer Fronts	11½	10½	¾
DB15-3	Cabinet Dimension	15	34½	24
	Top Drawer Front	14½	6	¾
	Bottom Drawer Fronts	14½	10½	¾
DB18-3	Cabinet Dimension	18	34½	24
	Top Drawer Front	17½	6	¾
	Bottom Drawer Fronts	17½	10½	¾
DB24-3	Cabinet Dimension	24	34½	24
	Top Drawer Front	23½	6	¾
	Bottom Drawer Fronts	23½	10½	¾
DB30-3	Cabinet Dimension	30	34½	24
	Top Drawer Front	29½	6	¾
	Bottom Drawer Fronts	29½	10½	¾
DB36-3	Cabinet Dimension	36	34½	24
	Top Drawer Front	35½	6	¾
	Bottom Drawer Fronts	35½	10½	¾

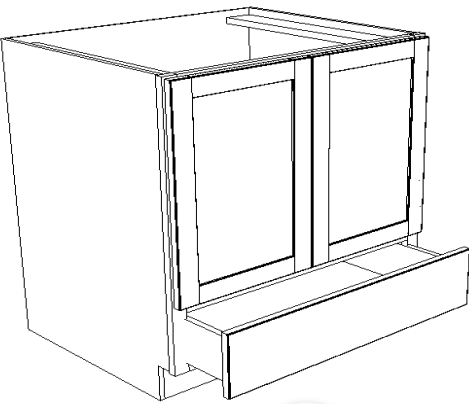
Base Cabinet Options

Cooking Center



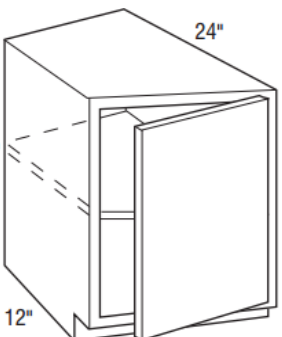
Model		Width	Height	Depth
CC30	Cabinet Dimension	30	34½	24
	Top Right Drawer Fronts	14½	6¾	¾
	Top Left Drawer Front	14½	14	¾
	Bottom Drawer Front	29½	14¾	¾

Base Microwave



Model		Width	Height	Depth
BM30	Cabinet Dimension	30	34½	24
	Door Dimension	14¾	17¾	¾
	Drawer Front	29½	10½	¾
	Cabinet Opening	27	16¾	

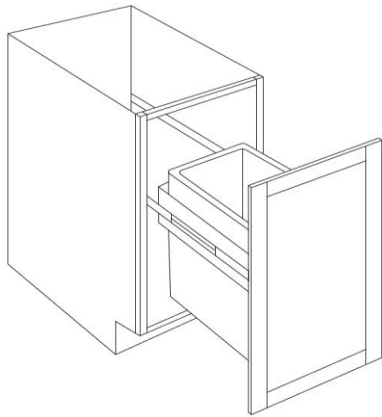
Transitional Angle Base (Shown Left)



Model		Width	Height	Depth
TAB12	Cabinet Dimension	12	34½	24
	Door Dimensions	14¾	28¾	¾

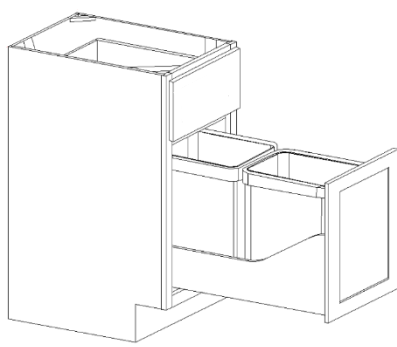
Base Cabinet Options

Trash Can Pull Out – Full Height Door



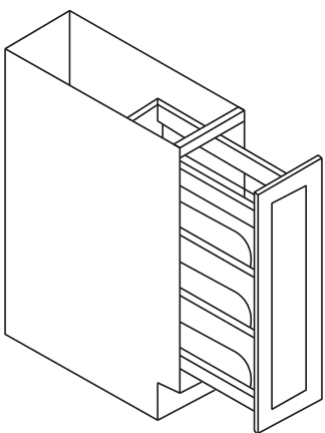
Model		Width	Height	Depth
TRB18-2	Cabinet Dimension	18	34½	24
	Door Dimension	17½	28¾	¾
	Trash Can Insert	14¾	4¾	19¾
➤ Includes 2 – 10 qt. cans				

Trash Can Pull Out



Model		Width	Height	Depth
BWB18	Cabinet Dimension	18	34½	24
	Door Dimension	17½	21½	¾
	Drawer Front	17½	6¾	¾
	Trash Can Insert	14¾	10	19¾
➤ Not available in all lines				
➤ Trash can not included				

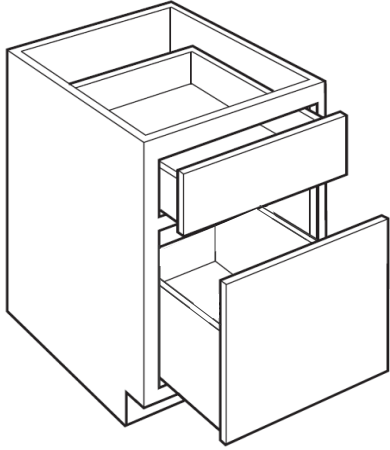
9” Spice Cabinet



Model		Width	Height	Depth
SPB9	Cabinet Dimension	9	34½	24
	Door Dimension	8½	28¾	¾
	Shelf Dimensions <small>*3 shelves</small>	6½	24¾	19¾
➤ Not available in all lines				

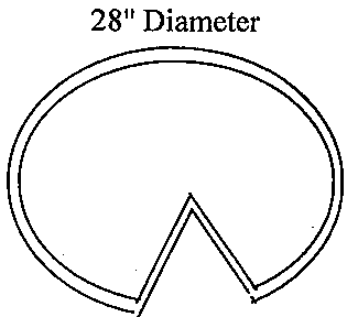
Base Cabinet Options & Inserts

Desk Drawer



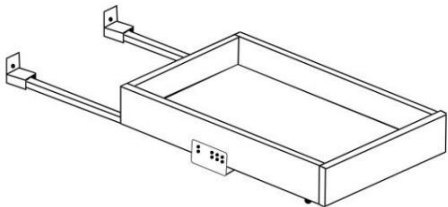
Model		Width	Height	Depth
DDB18	Cabinet Dimension	18	29½	21
	Top Drawer Front	17½	6¾	¾
	Bottom Drawer Front	17½	17	¾

1 Drawer Base



Model	
LSK	Recommended to be installed in cabinet during assembly.
<ul style="list-style-type: none"> ➤ For use in easy reach bases ➤ Kit includes 2 trays 	

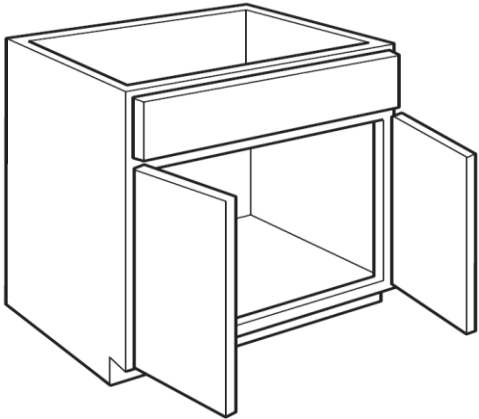
Roll Out Trays



Model	Width	Height	Depth
ROT15	11½	2¾	1¾
ROT18	14½	2¾	1¾
ROT21	17½	2¾	1¾
ROT24	20½	2¾	1¾
ROT27	23½	2¾	1¾
ROT30	26½	2¾	1¾
ROT36	32½	2¾	1¾

Vanity Cabinet Options

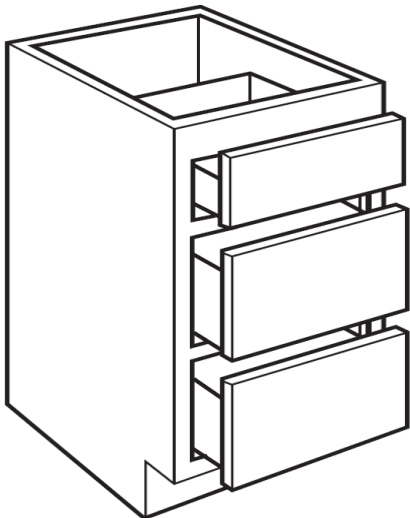
Double Door Vanity



Model		Width	Height	Depth
V24	Cabinet Dimension	24	34½	21
	Door Dimension	11¾	21½	¾
	Drawer Front	23½	6¾	¾
V27	Cabinet Dimension	27	34½	21
	Door Dimension	13¾	21½	¾
	Drawer Front	26½	6¾	¾
V30	Cabinet Dimension	30	34½	21
	Door Dimension	14¾	21½	¾
	Drawer Front	14¾	6¾	¾

➤ V30 has 2 false drawer fronts

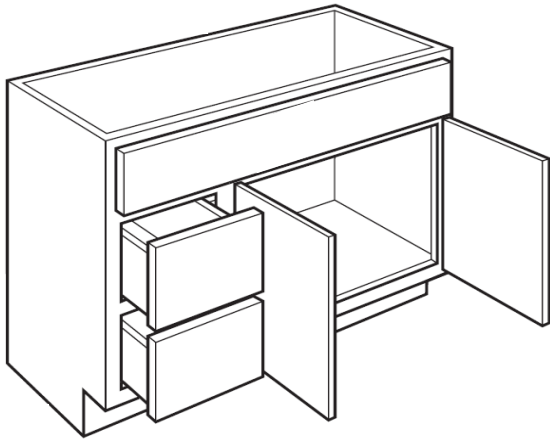
Vanity Drawer Base



Model		Width	Height	Depth
VDB12	Cabinet Dimension	12	34½	21
	Top Drawer Front	11½	6¾	¾
	Bottom Drawer Front	11½	10¾	¾
VDB15	Cabinet Dimension	15	34½	21
	Top Drawer Front	14½	6¾	¾
	Bottom Drawer Front	14½	10¾	¾
VDB18	Cabinet Dimension	18	34½	21
	Top Drawer Front	17½	6¾	¾
	Bottom Drawer Front	17½	10¾	¾

Vanity Cabinet Options

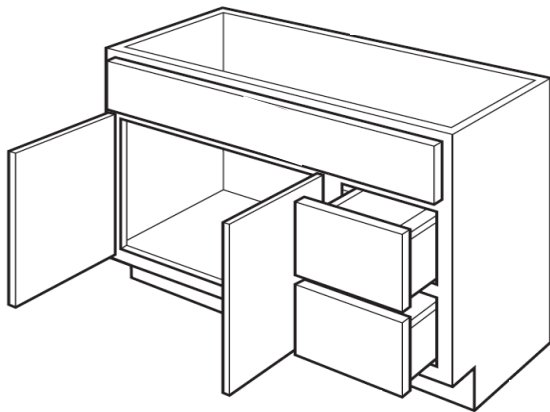
Vanity Cabinet w/ Left Drawer Stack



Model		Width	Height	Depth
VBLDB30	Cabinet Dimension	30	34½	21
	Door Dimension	17½	21½	¾
	False Drawer Front	29½	6	¾
	Bottom Drawer Fronts	11½	10½	¾
VBLDB36	Cabinet Dimension	36	34½	21
	Door Dimension	11¾	21½	¾
	False Drawer Front	35½	6	¾
	Bottom Drawer Fronts	11½	10½	¾

➤ VBLDB30 has 1 door

Vanity Cabinet w/ Right Drawer Stack

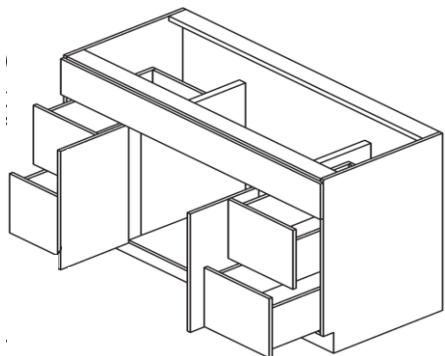


Model		Width	Height	Depth
VDRDB30	Cabinet Dimension	30	34½	21
	Door Dimension	17½	21½	¾
	False Drawer Front	29½	6	¾
	Bottom Drawer Fronts	11½	10½	¾
VBRDB36	Cabinet Dimension	36	34½	21
	Door Dimension	11¾	21½	¾
	False Drawer Front	35½	6	¾
	Bottom Drawer Fronts	11½	10½	¾

➤ VBRDB30 has 1 door

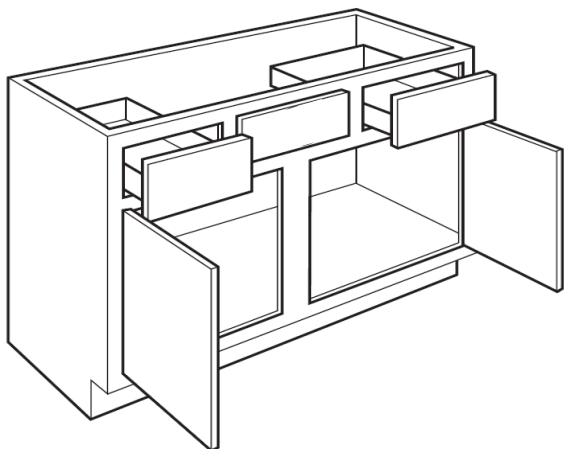
Vanity Cabinet Options

Vanity Cabinet w/ 2 Drawer Stacks



Model		Width	Height	Depth
VBEDB48	Cabinet Dimension	48	34½	21
	Door Dimension	11¾	21½	¾
	False Drawer Front	47½	6¾	¾
	Bottom Drawer Fronts	11½	10½	¾

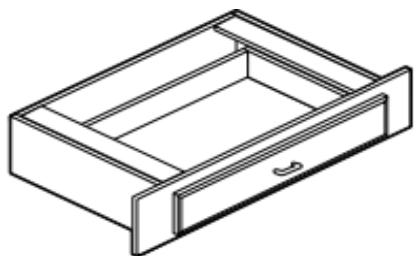
Vanity Cabinet w/ Top Drawers



Model		Width	Height	Depth
VSB36	Cabinet Dimension	36	34½	21
	Door Dimension	17¾	21½	¾
	End Drawer Fronts	10	6¾	¾
	False Drawer Front	15¾	6¾	¾
VSB42	Cabinet Dimension	42	34½	21
	Door Dimension	20¾	21½	¾
	End Drawer Fronts	11¾	6¾	¾
	False Drawer Front	17¾	6¾	¾

➤ VSB36 has no center stile

Knee Drawer



Model		Width	Height	Depth
KD24	Cabinet Dimension	24	4½	21
	Drawer Front	23½	4¾	¾
KD36	Cabinet Dimension	36	4½	21
	Drawer Front	29½	4¾	¾

➤ KD24 is not trimmable

➤ KD36 is trimmable to 30" (3" wings on each side)

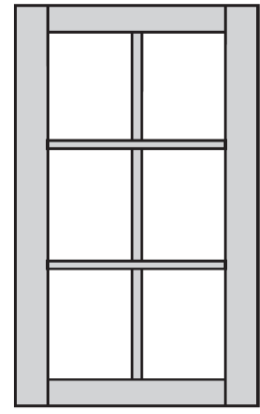
Accessories

Post



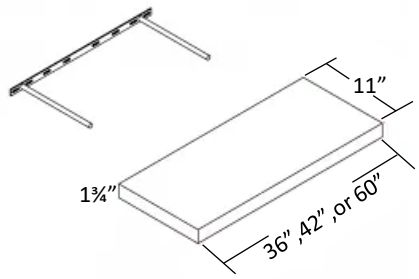
	Width	Height	Depth
3x3 Post	3	34½	3
5x5 Post	5	34½	5

Mullion Door



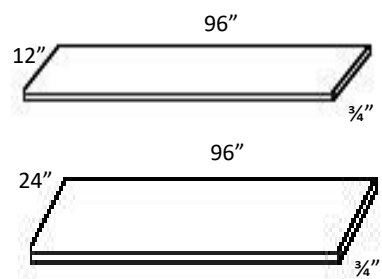
	Width	Height	Depth
W1530/CW2430/CW2730	14½	28¾	¾
W1830	17½	28¾	¾
W1536/CW2436/CW2736	14½	34¾	¾
W1836	17½	34¾	¾
W1542/CW2442/CW2742	14½	40¾	¾
W1842	17½	40¾	¾

Floating Shelf



	Width	Height	Depth
36" Floating Shelf	36	1¾	11
48" Floating Shelf	48	1¾	11
60" Floating Shelf	60	1¾	11

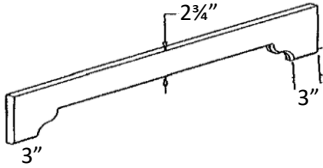
Shelf Board



	Width	Height	Depth
12" Shelf	96	¾	12
24" Shelf	96	¾	24

Accessories & Conversion Kits

Valance



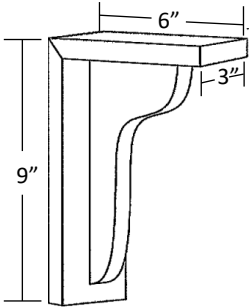
	Width	Height	Depth
V43	43	2 3/4	3/4

Raised Panel Valance

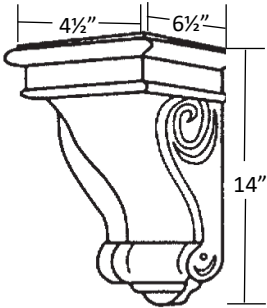


	Width	Height	Depth
RPV42	42	12	3/4
RPV48	48	12	3/4

Standard Corbel



Decorative Corbel



Wall Extended Depth Kit

- 15" Depth Kit
- 36x36-15"
- 36x42-15"
- 24" Depth Kit
- 36x36-24"
- 36x42-24"

- Kit Includes:
- Sides
 - Top
 - Bottom
 - Shelves

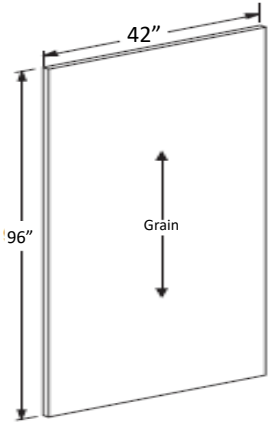
Base Reduce Depth Drawer Kit

- Single Drawer
- 12" Depth
- 15" Depth
- 18" Depth
- 21" Depth
- 3 Drawer Base
- 12" Depth
- 15" Depth
- 18" Depth
- 21" Depth

- Kit Includes:
- Dovetail Sides
 - Glides

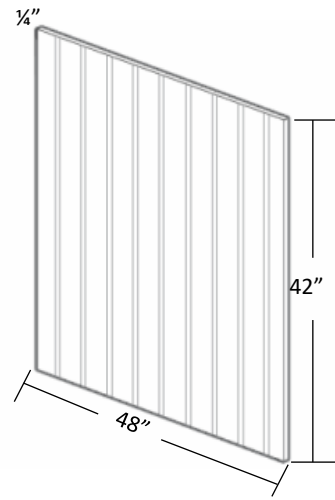
Panels

Panels



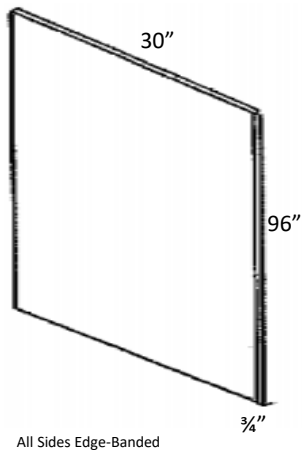
Model	Width	Height	Depth
BP96x42	42	96	¼
BP42X96	96	42	½

Bead Panel



Model	Width	Height	Depth
Bead42x48	¼	48	42

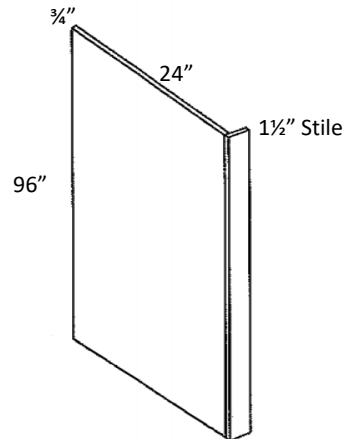
Edge Banded Panel



All Sides Edge-Banded

Model	Width	Height	Depth
TEP ¾ x96 EB	¾	96	30

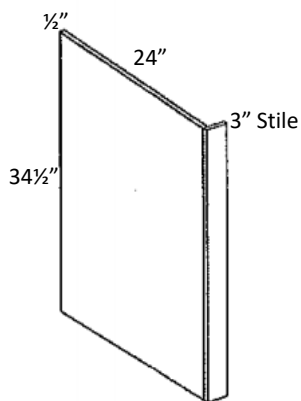
Refrigerator End Panel



Model	Width	Height	Depth	
TEP 1½x96	Panel	¾	96	24
	Stile	1½	96	¾

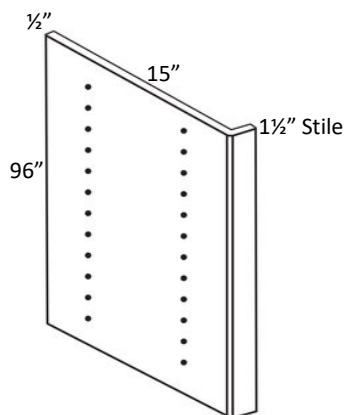
Panels

Dishwasher End Panel



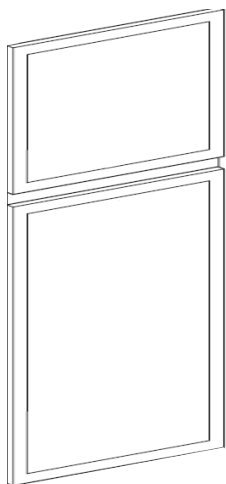
Model		Width	Height	Depth
DWR3	Panel	1/2	34 1/2	24
	Stile	3	34 1/2	3/4

Bookcase Panel



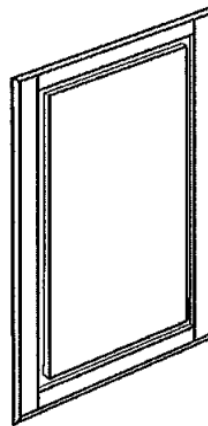
Model		Width	Height	Depth
Bookcase End	Panel	1/2	96	15
	Stile	1 1/2	96	3/4

Tall Decorative End Panel



Model	Width	Height	Depth
DREP24x84	24	84	3/4
DREP24x90	24	90	3/4
DREP24x96	24	96	3/4

Decorative End Panel



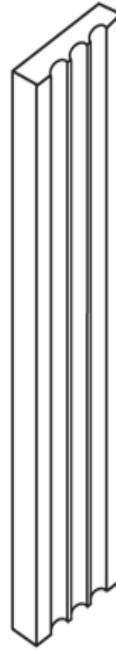
Model	Width	Height	Depth
12x30 Door	12	30	3/4
12x36 Door	12	36	3/4
12x42 Door	12	42	3/4
24x30 Door	24	30	3/4

Filler



Model	Width	Height	Depth
F142	1	42	$\frac{3}{4}$
F342	3	42	$\frac{3}{4}$
F642	6	42	$\frac{3}{4}$
F396	3	96	$\frac{3}{4}$
F696	6	96	$\frac{3}{4}$

Fluted Filler



Model	Width	Height	Depth
F396F	3	96	$\frac{3}{4}$

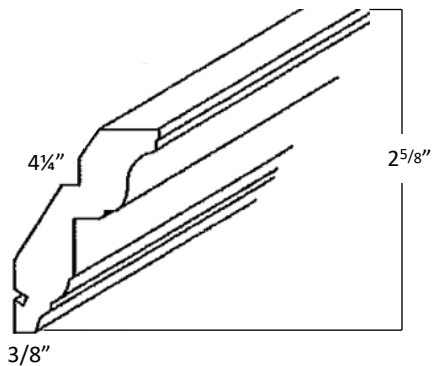
Overlay Filler



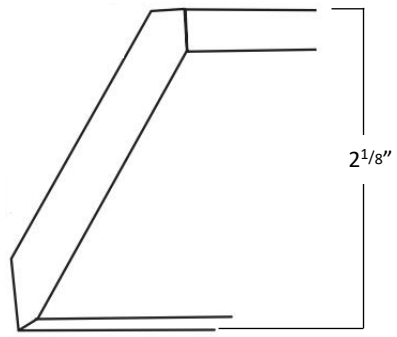
Model	Width	Height	Depth
OLF330	$2\frac{1}{2}$	$28\frac{3}{4}$	$\frac{3}{4}$
OLF336	$2\frac{1}{2}$	$34\frac{3}{4}$	$\frac{3}{4}$
OLF342	$2\frac{1}{2}$	$40\frac{3}{4}$	$\frac{3}{4}$
OLF630	$5\frac{1}{2}$	$28\frac{3}{4}$	$\frac{3}{4}$

Mouldings

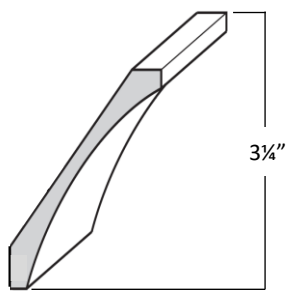
Royal Crown



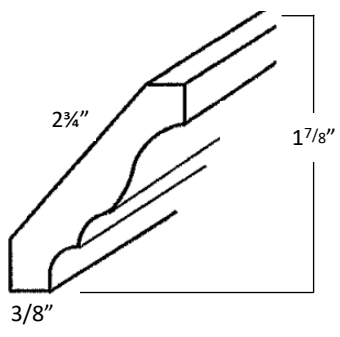
Shaker Crown



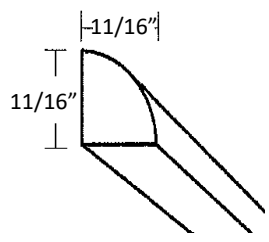
Cove



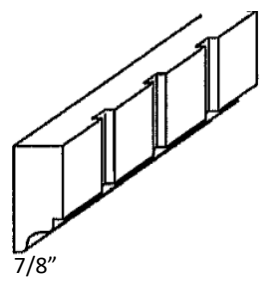
Standard Crown



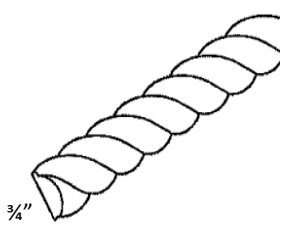
Shoe



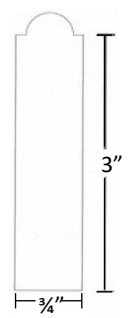
Dentil



Rope



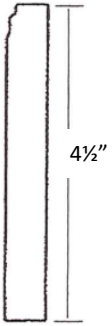
Chamfer/Bevel



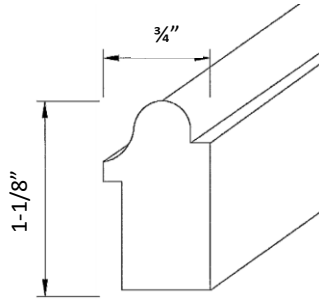
Note: Beveled on opposite end of chamfer.

Mouldings

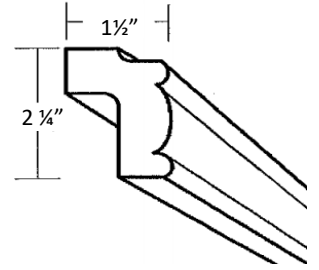
Furniture Base



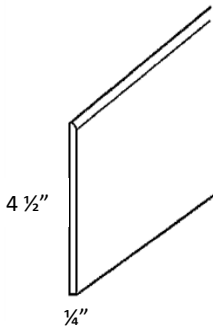
Bottom Edge



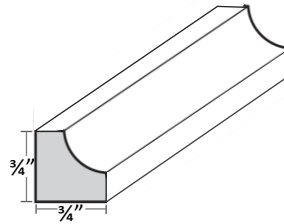
Light Rail



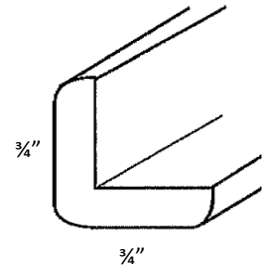
Toe Kick



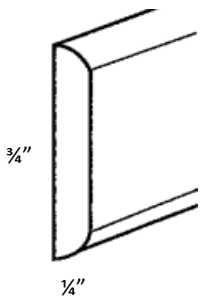
Inside Corner



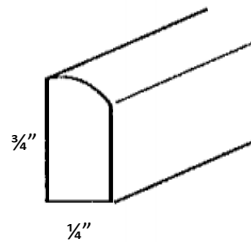
Outside Corner



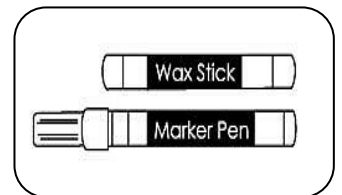
Batten



Scribe



Touch Up Kit





175 South 10th Street
Sainte Genevieve, MO 63670

573.547.2044 Phone

866.521.0648 Fax

www.carriagehousepremiercabinets.com
orders@carriagehousecabinet.com